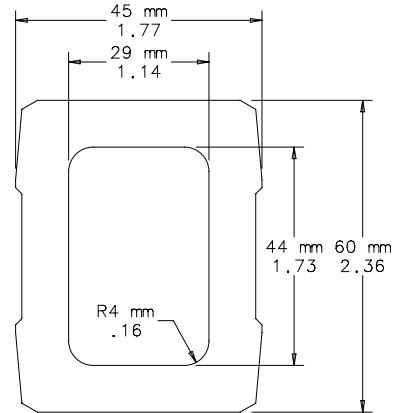




Hollow aluminum extrusion available in 500-, 1000- and 1500-mm lengths. Connection components fastened to support arm with set screws. DIN 59411 and 2395.

BULLETIN: CS4



87799114

Catalog Number	AxBxC in./mm	Length in./mm	External Dimensions in./mm	Wall Thickness Dimensions in./mm	Inside Cross Section (cm ²)	Inside Cross Section (in. ²)	Weight (lb.)
CCS2T5	19.68 x 1.77 x 2.36 500 x 45 x 60	19.68 500	1.77 x 2.36 45 x 60	0.31 8	12.65	1.96	4.5
CCS2T10	39.37 x 1.77 x 2.36 1000 x 45 x 60	39.37 1000	1.77 x 2.36 45 x 60	0.31 8	12.65	1.96	9.0
CCS2T20	59.06 x 1.77 x 2.36 1500 x 45 x 60	59.06 1500	1.77 x 2.36 45 x 60	0.31 8	12.65	1.96	14.0

SET-UP JOINT

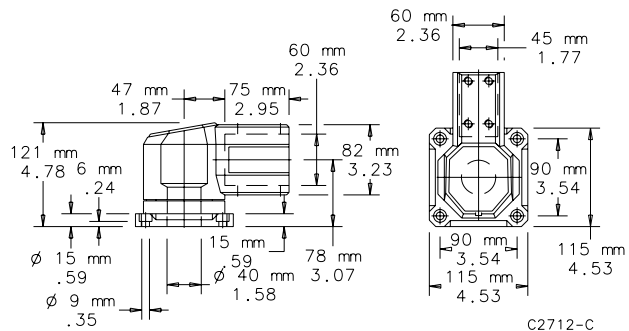


Joint includes access plate for easy wire installation. Turning range of 300 degrees. Cast aluminum with RAL 7035 light-gray polyester powder paint finish. Setscrews, gasket and removable access plate included. Mounting fasteners are not provided.

BULLETIN: CS4



Catalog Number	Weight (lb.)
CCS2SJLG	4.0



C2712-C

WALL JOINT (VERTICAL)

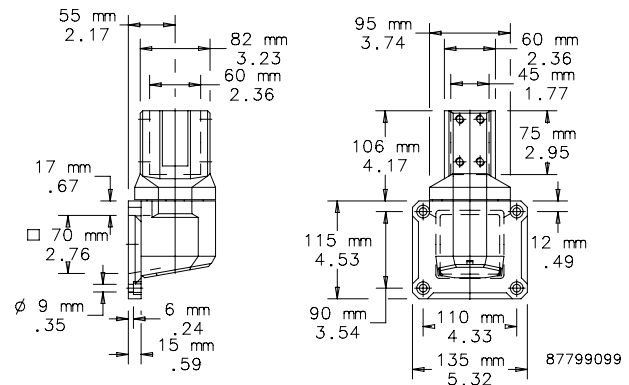


Vertical joint includes access plate for easy wire installation. Turning range of 300 degrees. Cast aluminum with RAL 7035 light-gray polyester powder paint finish. Setscrews, gasket and removable access plate included. Mounting fasteners are not provided.

BULLETIN: CS4



Catalog Number	Weight (lb.)
CCS2WJVLG	5.0



87799099