



WALL JOINT (HORIZONTAL)

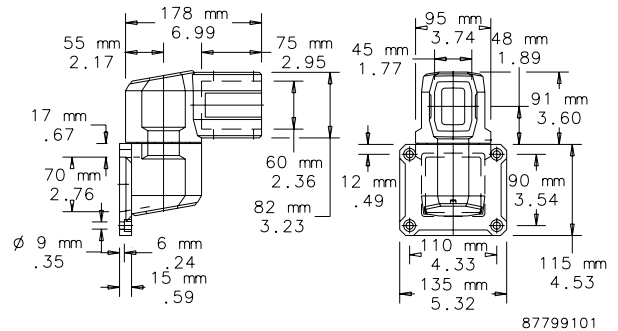


Includes access plates for easy wire installation. Turning range of 300 degrees. Cast aluminum with RAL 7035 light-gray polyester powder paint finish. Setscrews, gasket and removable access plates included. Mounting fasteners not provided.

BULLETIN: CS4



Catalog Number	Weight (lb.)
CCS2WJHLG	5.0



87799101

INTERMEDIATE JOINT

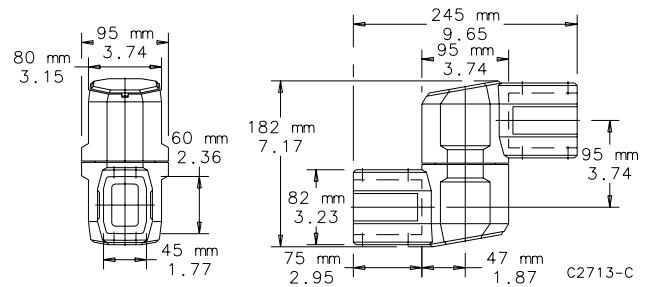


Joint is cast aluminum with RAL 7035 light-gray polyester powder paint finish. Turning range is 360 degrees with stop. Includes access plates for easy wire installation, installation hardware and gasket. Use of the intermediate joint reduces pendant arm load capacity by 43 percent.

BULLETIN: CS4



Catalog Number	Weight (lb.)
CCS2IJLG	5.0



C2713-C

HEAVY DUTY ELBOW

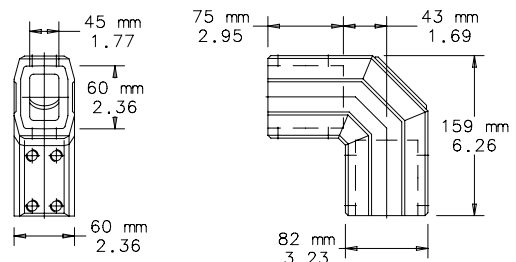


Elbow is made of aluminum with increased wall thickness for additional strength and support. Setscrews for tube adjustment. Cast aluminum with RAL 7035 light-gray polyester powder paint finish. All installation hardware and gasket included.

BULLETIN: CS4



Catalog Number	Weight (lb.)
CCS2EHDLG	3.0



87799106